

LF60 Multifunction Joystick



LF60 is a multifunction-type joystick with 1, 2 or 3 axes. Handle movement 56° in x- and y- direction and turn 180° in z- direction.

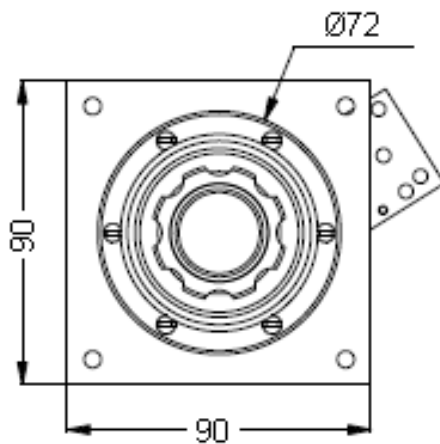
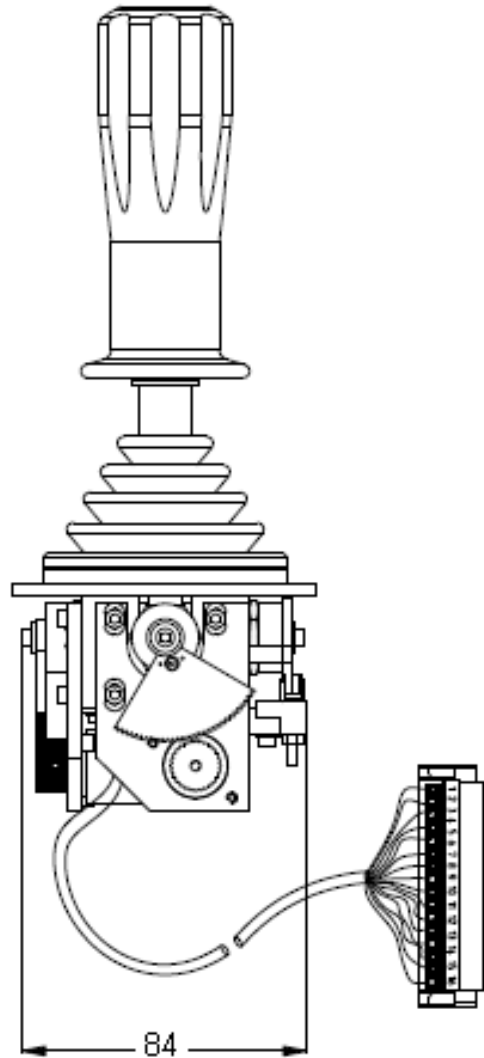
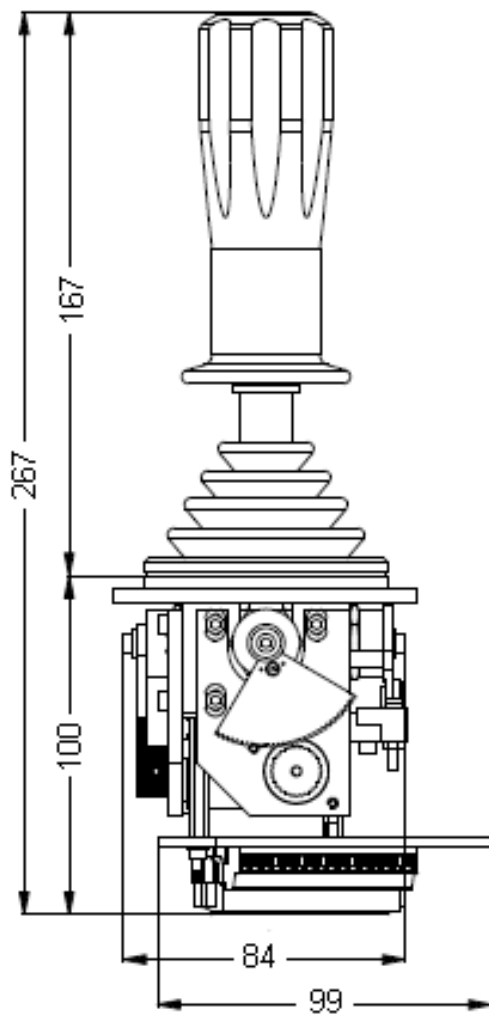
Simultaneously operation of all axes. Designed for electronic control and equipped with potentiometers. For maritime as well as shore based purposes. Delivered with traditional bellows and with or without visible fixing plate.

Note: Separate product sheets for Lilaas joystick models LF40, LF50 and L04.

Talk to us:

Spain +34 912 625 978 info.es@kinextec.com
Italy +39 02 927 281 info@kiepeelectric.com

Joystick LF60



Above left: Fixed termination
 Above right: Alternative termination
 Left: Top view

Technical description, standard

Handle: Dull surface
 Materials: Stainless steel, brass, aluminium, POM
 Standard pot.meters: 5K
 Standard termination: 16 pins contact with plug
 Enclosure: IP66
 Type approval: EN/IEC 60945, ABS, BV, GL, LR, NK, RINA

Options

Built-in switches
 Spring-loaded return to neutral
 Alternative pot.meters

Other options on request