

Lilaas joysticks

Lilaas offers a wide range of high quality type approved multipurpose joysticks. Below you will find a simple technical description of various basic models. To meet various needs and requirements, the joysticks may be customized. See next page for more information.



Specification details standard version

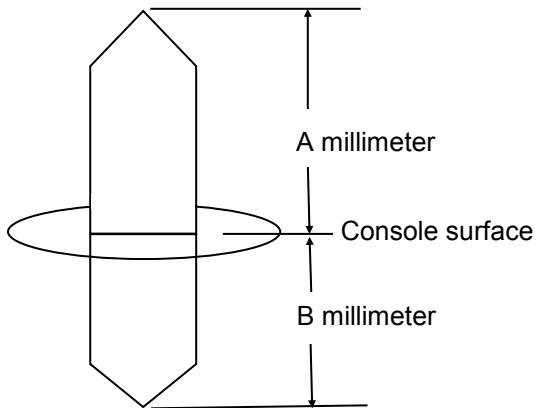
	L04	LF40	LF50	LF60
Weight	0,8 kg	0,9 kg	0,5 kg	0,9 kg
Handle movement	X: $\pm 24^\circ$ Y: $\pm 24^\circ$ Z: $\pm 60^\circ$	X: $\pm 24^\circ$ Y: $\pm 24^\circ$ Z: $\pm 45^\circ$	X: $\pm 26^\circ$ Y: $\pm 26^\circ$ Z: $\pm 75^\circ$	X: $\pm 28^\circ$ Y: $\pm 28^\circ$ Z: $\pm 90^\circ$
Electrical movement	X: 48° Y: 48° Z: 120°	X: 48° Y: 48° Z: 90°	X: 52° Y: 52° Z: 150°	X: 244° Y: 244° Z: 244°
Magnetic sensors	Yes	NA	NA	NA
Potmeters	NA	Single 5 k Ω , linear	Single 5 k Ω , linear	Single 5 k Ω , linear
IP grade	IP66	IP66	IP56	IP66
Termination	16 pins contact with plug			
Materials / Finish	Steel A2, Al, POM / alodine, powder coating, rubber bellows			

Talk to us:

Spain +34 912 625 978 info.es@kinextec.com
Italy +39 02 927 281 info@kiepeelectric.com

Certified according to NS-EN ISO 9001:2008

The potentiometer is of a plastic conductive type measuring 5 kΩ between the end points. The potentiometer must be used as a voltage divider and not as a rheostat. Wiper current must not exceed 1 mA.



External dimensions:

Standard	L04	LF40	LF50	LF60
A	113	97	100	167
B	74	50	66	100

Lilaas joysticks, basic models

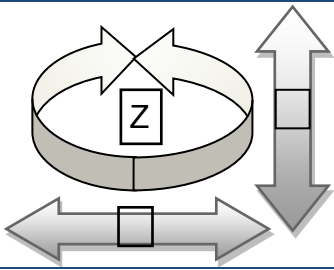
<p>L04EAA-AB-00002</p> 	<p>L04EBA-AB-00002</p> 	<p>LF60-3-02</p> 
<p>LF40-x-xx</p> <p>On request</p> 	<p>LF50-3-03</p> 	

Talk to us:

Spain +34 912 625 978 info.es@kinextec.com
 Italy +39 02 927 281 info@kiepeelectric.com

Do you need an extended version? To simplify the customization process, please fill in your request to Lilaas in the *Spec your request* form below and forward it to: sales@lilaas.no

We will revert with price and availability.

Spec your request		Lilaas joystick model: L04 <input type="checkbox"/> LF40 <input type="checkbox"/> LF50 <input type="checkbox"/> LF60 <input type="checkbox"/>			
Options, other than standard	Yes	Description			
Less than 3 active axes					
Push button with light (only L04)					
Switches					
Spring return					
Handle movement Z-axis					
Potentiometer					
Logo					
Axes definition					
Other					

Specification from:	Contact person:
Company:	E-mail:
	Telephone:

lilaas®

Lilaas AS is a world leading manufacturer of various types of control levers and joysticks for marine and offshore use.

As a result of unique design, top-grade materials and thorough test procedures, we produce products of high quality that requires a minimum of service and maintenance.

The control units from Lilaas include levers, controlling mechanism and accompanying electronics.

The products range from simple, one-axis control levers in different sizes, hand wheels and rudder controls to azimuth control units and multi-axis joysticks.

All units may be delivered motorised on all axes and with several optional features. The products comply with stringent certification requirements.

All kinds of vessels, from small fishing boats and ferries, via supply vessels to large tankers and cruise ships may be manoeuvred by control levers from Lilaas.

The products are certified by DNV and the company is certified under NS-EN ISO 9001-2008.

Lilaas AS

Kongeveien 75, P.O. Box705, N-3196 Horten, Norway.

Tel: +47 33 03 18 50, fax: +47 33 03 18 60

E-mail : sales@lilaas.no

Certified Distributor

Italia

KIEPE Electric SpA

Via delle Gerole, 17
20867 Caponago (MB) Italy

Tel: +39 02 927281
Fax: +39 02 92106395
info@kiepeelectric.com
www.kiepe-electric.com

Certified Distributor

Spain

KINEXTEC

Oficina de representación en España de
Kiepe Electric S.p.A.

C/Pintores nº 2 Oficina 307 y 308
28923 Alcorcón, Madrid, España

Tel. +34 912 625 978
info.es@kinextec.com
www.kinextec.com

