

LF 90 - LF120
NEW DESIGN!



LF90 and LF120 Control Levers

lilaas[®]



www.lilaas.no



LF90 and LF120 high quality thruster and propulsion lever

Single or double - With LED illuminated scale

- New and modern design - Multi interface options

- High quality - Single or double lever
- Type approved according to IEC60945
- Potentiometers, 5V sensors, 4-20mA, CANopen
- With and without panel plate
- IP 66
- Motorized versions
- LED-illuminated scales



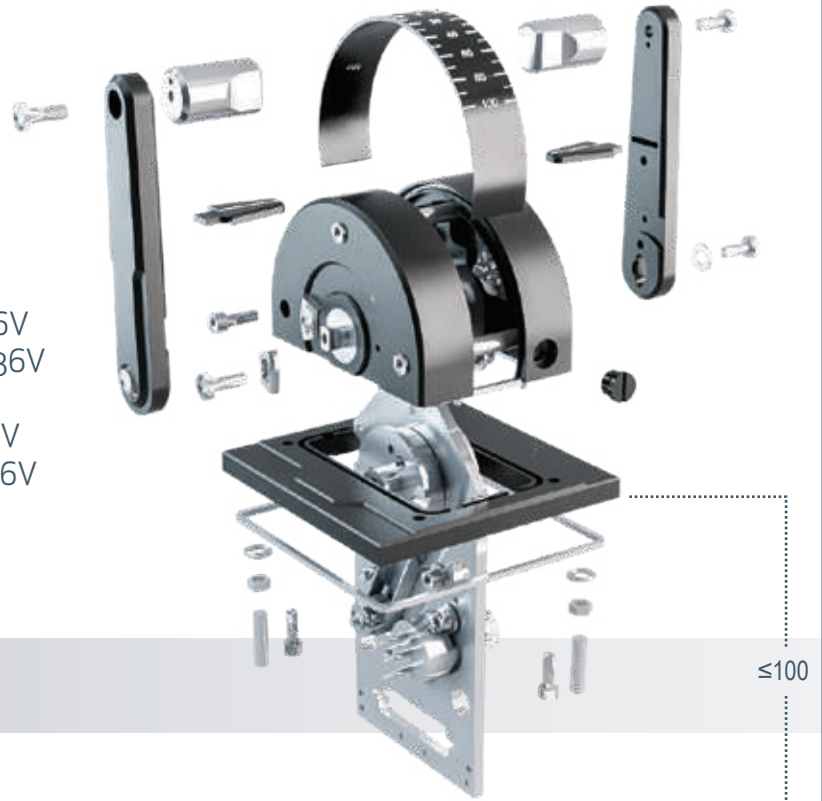
- Single and double
- Thruster / propulsion
- With and without panel plate
- Built in switches
- Detents
- Blocked aft movement
- Motorized
- Other options on request

All models can be delivered with the following choice of interface:

- **Potentiometer:**
1x 5k Ω CT, 2x 5k Ω CT
Other Potentiometers on request
- **Hall sensors:**
Single lever 1x dual 0,5-4,5V, Supply voltage 5V
Double lever 2x dual 0,5-4,5V, Supply voltage 5V

Single lever 1x dual CANopen, Supply voltage 8-36V
Double lever 2x dual CANopen, Supply voltage 8-36V

Single lever 1x dual 4-20mA, Supply voltage 16-36V
Double lever 2x dual 4-20mA, Supply voltage 16-36V



● Specification details

Enclosure:	IP66
Materials:	Aluminium, Steel, POM
Finish:	Anodised, SurTec
Appr. weight	1 - 1,5kg depending on version
Handle movement / Electrical movement:	+/- 60° / 245 deg
Potentiometer:	1x5/2x5k Ω Potentiometer/ Dual 5Vsensor/ Dual CANopen/Dual 4-20mA
Detent:	In Zero
Friction:	Adjustable
Scale foil:	Black and white 100-0-100 thruster or propulsion scale
Illuminated scale:	24V LED
Termination:	16 pins contact with plug
Type approval:	EN/IEC60945, ABS, BV, DNV/GL, KR, LR, NK, RINA, PRS, RC, CRS

● Measurements

LF90X: L=96mm W=96mm H=112mm
LF120X: L=144mm W=96mm H=145mm
Console depth needed : ≤100mm

- This control lever is one of several models developed and manufactured by Lilaas AS. It has been tested according to our final test and control procedures.

- Additional thruster/proulsion control levers :
LE90, LF90, LF120, LF180, L01





Lilaas AS is a world leading manufacturer of various types of control levers and joysticks for marine and offshore use.

As a result of unique design, top-grade materials and thorough test procedures, we produce products of high quality that requires a minimum of service and maintenance.

The control units from Lilaas include levers, controlling mechanism and accompanying electronics.

The products range from simple, one-axis control levers in different sizes, hand wheels and rudder controls to azimuth control units and multi-axis joysticks.

All units may be delivered motorised on all axes and with several optional features. The products comply with stringent certification requirements.

All kinds of vessels, from small fishing boats and ferries, via supply vessels to large tankers and cruise ships may be manoeuvred by control levers from Lilaas.

The products are certified by DNV and the company is certified under NS-EN ISO 9001: 2015.

LILAAS AS
Kongeveien 75
PB 705
N-3196 HORTEN
NORWAY

Tel: +47 41 63 30 00
E-mail: sales@lilaas.no
www.lilaas.no

Certified Distributor

Italia
KIEPE Electric SpA
Via delle Gerole, 17
20867 Caponago (MB) Italy

Tel: +39 02 927281
Fax: +39 02 92106395
info@kiepeelectric.com
www.kiepe-electric.com

Certified Distributor

Spain
KINEXTEC
Oficina de representación en España de
Kiepe Electric S.p.A.

C/Pintores nº 2 Oficina 307 y 308
28923 Alcorcón, Madrid, España

Tel. +34 912 625 978
info.es@kinextec.com
www.kinextec.com

